

# 21 BIS E

Angle water hammer arrestors

**Desbordes**

**Technical Data Sheet**



## Description

The Water hammer arrestors 21 BIS E reduces strongly soften water hammer due to equipment as mixer tap, 1/4 ball valve, solenoid valve...

- No maintenance required : no greasing, no pumping up because no tank to be swelled
- Optimum working around a 3 bars network
- The way of the flow must be respected to take advantage of venturi internal effect, improving efficiency



### 21 BIS E

Angle water hammer arrestors DESBORDES

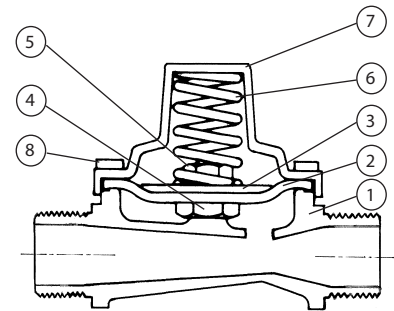
DN		PFA in bar	Ref.	Weight Kg
"	mm			
1/2	15	5	<b>149B7244</b>	0,50

#### Technical features

Operating temperature	-10 °C at 80 °C
Permissible operating pressure (PFA) in water	See table above
Maximum permissible pressure (PS) other mediums	See table above
Connection	Female/female, BSP thread
Mediums	Water

#### Nomenclature and materials

N°	Designation	Materials	EURO	ANSI
1	Body	Chrome plated Bronze	CuSn5Zn5Pb5-C	ASTM B 505
2	Membrane	NBR polyamide reinforced		
3	Membrane ring	Brass	CuZn39Pb3	ASTM B 124
4	Screw	Stainless steel	X5CrNi18-10	AISI 304
5	Nut	Stainless steel	X5CrNi18-10	AISI 304
6	Spring	Anticorrosive treated steel	VD Cr Si	
7	Cap	Chrome Bronze	CuSn5Zn5Pb5-C	ASTM B 505
8	Screw	Stainless steel	X5CrNi 18-10	AISI 304



## Approvals

### ACS

#### International construction Standards :

Thread connection NF EN ISO 228

## Installation

The Water hammer arrestors 21 BIS E to be placed at the closest point to the water hammer generating area.

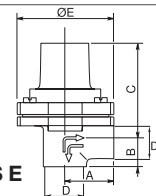
Can be installed in either position.

## Application

The Water hammer arrestors 21 BIS E is for domestic plumbing installation.

## Sizing

DN	D	A	B	C	ØE
mm	"	mm	mm	mm	mm
15	1/2	15/21	29,5	17	59



21 BIS E

The descriptions and photographs contained in this product specification sheet are supplied by way of information only and are not binding.

Socla reserves the right to carry out any technical and design improvements to its products without prior notice. Warranty : All sales and contracts for sale are expressly conditioned on the buyer's assent to Socla terms and conditions found on its website at [www.socla.com](http://www.socla.com). Socla hereby objects to any term, different from or additional to Socla terms, contained in any buyer communication in any form, unless agreed to in a writing signed by an officer of Socla.



A WATTS Brand

Socla sas

365 rue du Lieutenant Putier • 71530 Virey-Le-Grand • France

Tel. +33 03 85 97 42 00 • Fax +33 03 85 97 42 42

contact@wattswater.com • [www.socla.com](http://www.socla.com)

ISO 9001 version 2015 / ISO 18001